

# HJBM PLUS 56 M4 0,75kW (268563103)

## GENERAL DATA



SQUARE WALL PLATE FAN, VARIABLE PITCH BLADES AND HIGH EFFICIENCY MOTOR

### MANUFACTURING FEATURES

- Squared frame in galvanized steel sheet with C4 anti-corrosion finish.
- Variable pitch angle polyamide impeller reinforced with fibreglass.
- Supplied with motor support and protection guard according to the UNE-EN 20-359-74 norm and the ROHS 2002/95/EC Directive (Restriction of the Use of Certain Hazardous Substances in Electrical and Electronic Equipments).
- High efficiency standard asynchronous squirrel-cage motor with IP-55 or IP-54 protection (wiring box IP-65) and Class F insulation. Manufactured with standard voltages: 230V 50Hz for single phase motors, 230/400V 50Hz for three phase motors.

### APPLICATIONS

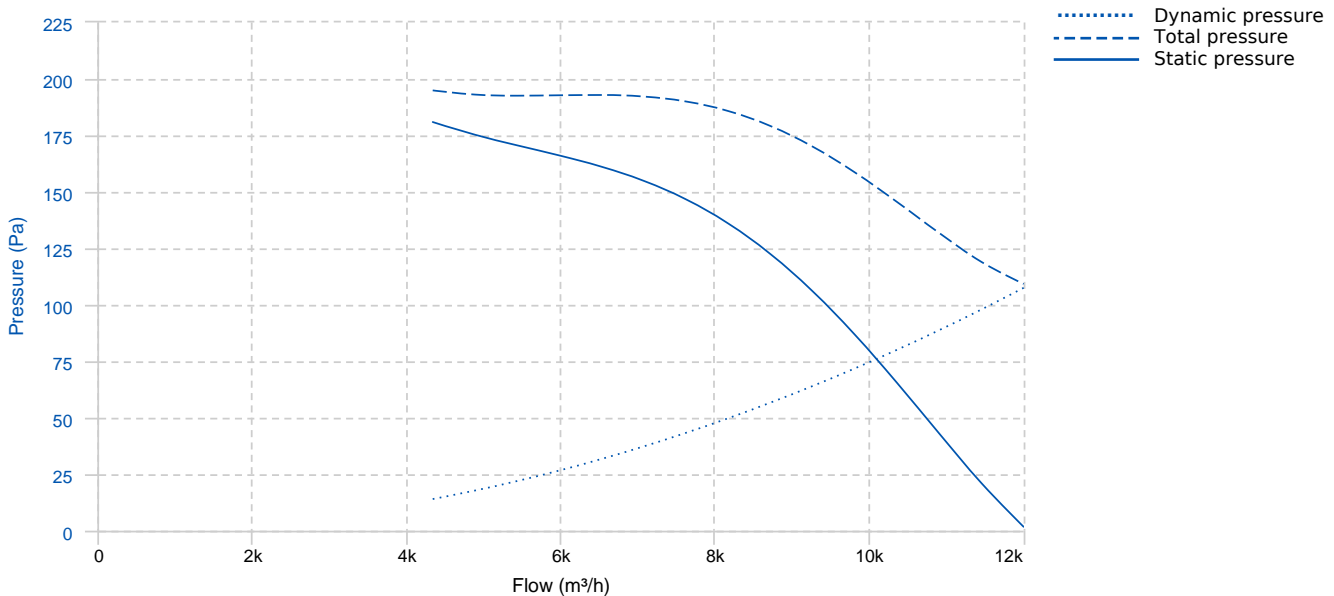
Designed for wall assembly, they are suitable for:

- Air renewal in buildings and industries.
- Maximum working temperature: single phase 50°C, three phase 60°C.

### UNDER REQUEST

- Aluminium impeller.
- 60Hz fans.

## PERFORMANCE CURVE

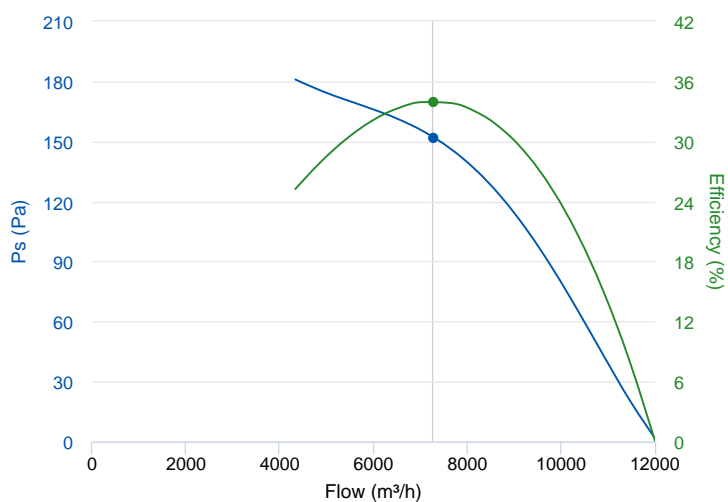


## TECHNICAL DATA

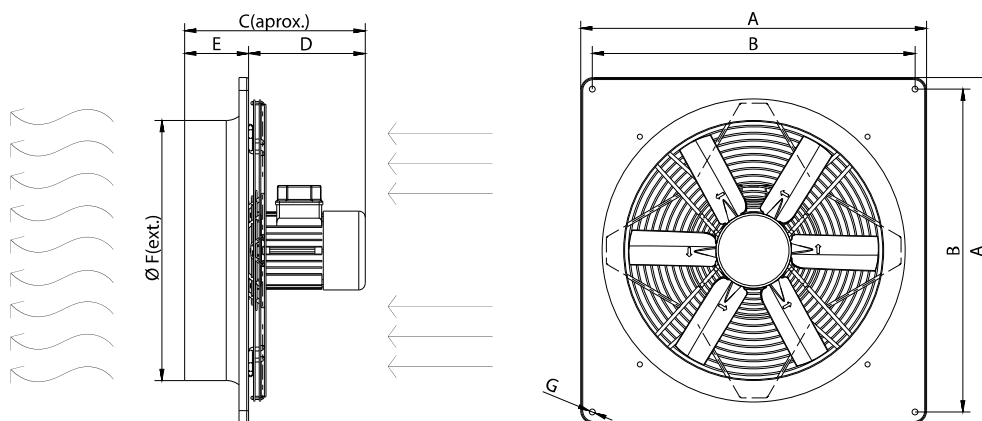
Fan							
RPM	1400	Approx. weight	20 kg	Max. Flow	12010 m³/h		
Motor							
Power	0,75 kW	RPM	1400	Capacitor	25µF 450V	I max. (230V)	5,21 A
Size	80	Approx. weight	10.4 kg	Efficiency (%)	68 %	FP	0.95

## ERP DATA

Fan data sheet		
Fan type	Axial fan	
Installation category	A: Outlet and Inlet free discharge	
Efficiency category	Static	
The fan has to be installed with VF	No	
Motor power (kW)	0.75	
	Fan values	ERP Requirements 2015
Max. efficiency (%)	33.98	33.44
Efficiency grade (N)	40.54	40
Pabs (kW)	0.92	
Flow (m³/h)	7280.89	
Static pressure (Pa)	152.04	
Speed (m/s)	1400	
Specific ratio	1.00	



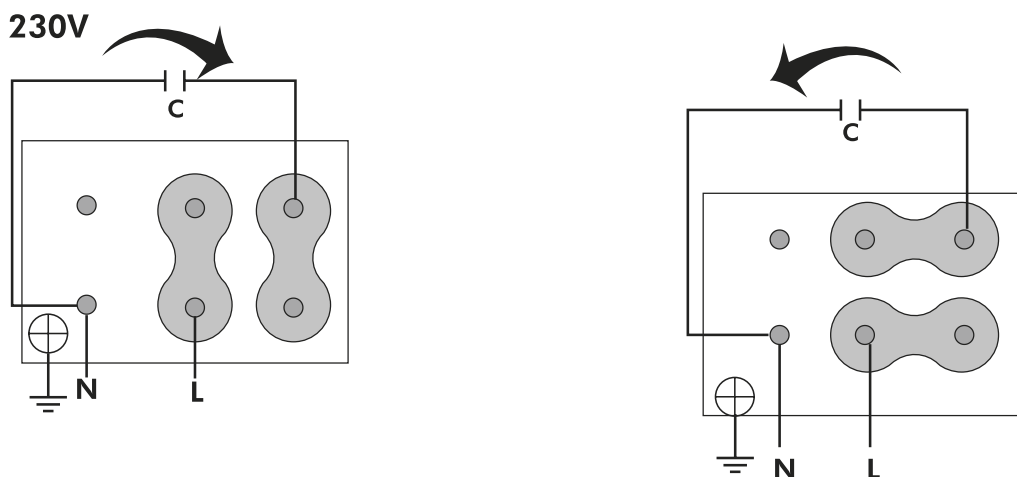
## DIMENSIONS



## Dimensions (mm)

A	725	B	650	C	339,5	D	219,5	E	120
ØF	560	ØG	11						

## WIRING DIAGRAM



## ACCESSORIES



**SAFETY SWITCH**  
**INT 25 3P A**  
**REF: INT253PA**



**Outlet protection guard for axial fans**  
**RP0 56**  
**REF: 980000056**

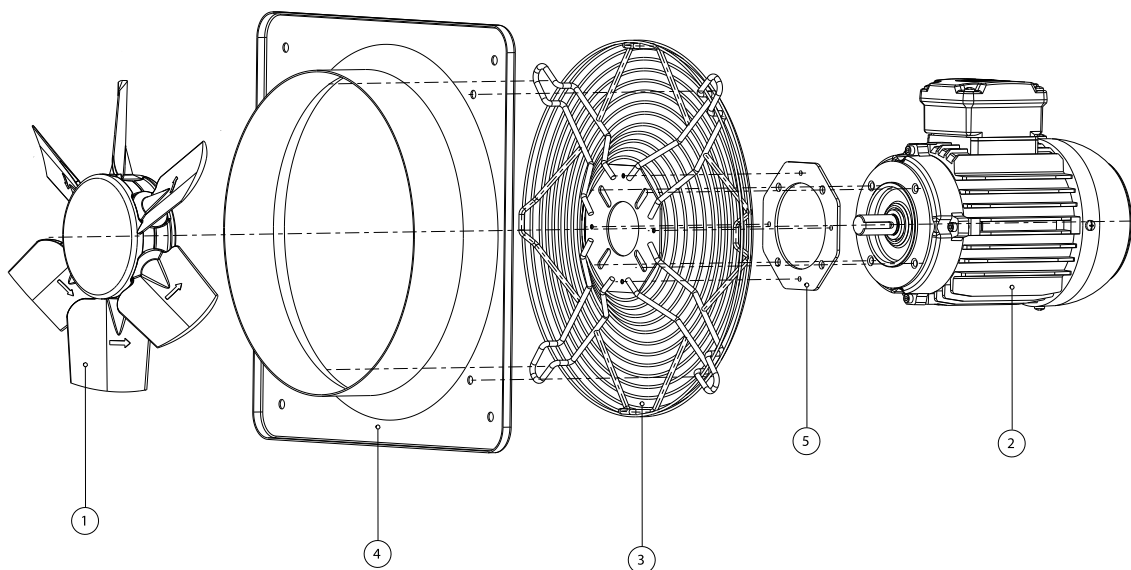


**PLASTIC GRAVITY SHUTTER**  
**PCP 56**  
**REF: 963250105G**



**ALUMINIUM GRAVITY SHUTTER**  
**PC2 60**  
**REF: PC26060**

## SPARE PARTS



	Code	Model	Qty
1	R-H56006345PSTD	IMPELLER 560:AP0:6 G45 D19	x1
2	720301134	MOTOR 0,75kW M4 B14 230V	x1
3	R-268561902	PROTECTION GRID HJBM56	x1
4	R-268561779A001	FRAME HJBM-HJBM EEC56	x1
5	R-268561909	SUPPORT MOTOR DISC HJBM50-56 T.80	x1